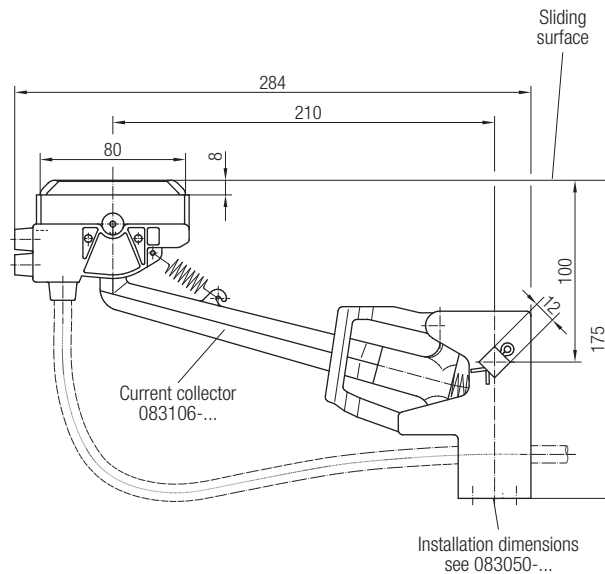
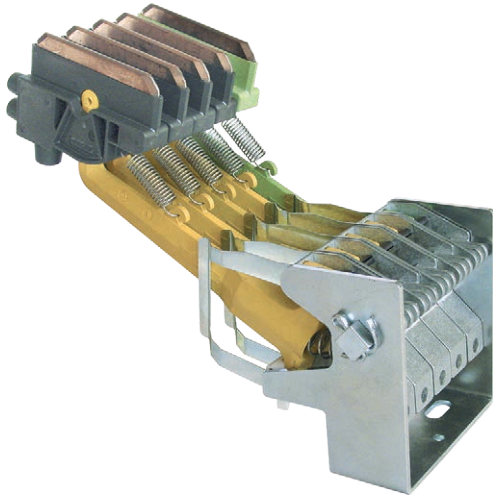


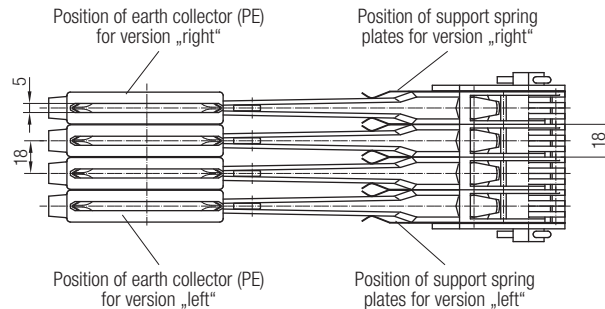
# Current collector Units

## Current Collector Units without Terminal Boxes 083107-...



### Technical details

- Shown is the version for horizontal operation
- Collector shoe material: copper graphit
- Contact pressure per collector arm: 10N
- Max. current load: 80 A with 16 mm<sup>2</sup> connection cable at 100% duty cycle
- Deflection (horizontal/vertical): ± 50 mm
- Assembly tolerances below ± 10 mm recommended
- **Connection cables (highly flexible) to be ordered separately**
- **The current collector units can also be used for „pick-up guides for transfer points“**
- **Other connection cable cross sections on request**
- To arrange above as double-current-collectors separate part no. for the complementary units are required due to PE-orientation. Please contact sales dpt.



Current Collector Unit	with PE Part No.	without PE Part No.	Poles	Weight [kg]
for vertical operation	083107-030023*	083107-030021*	3	0.860
	083107-040023*	083107-040021*	4	1.410
	083107-050023*	083107-050021*	5	1.960
for horizontal operation with support spring plates "right"	083107-036023	083107-036021	3	0.890
	083107-046023*	083107-046021	4	1.440
	083107-056023*	083107-056021	5	1.990
for horizontal operation with support spring plates "left"	083107-037023	083107-037021	3	0.890
	083107-047023*	083107-047021	4	1.440
	083107-057023*	083107-057021	5	1.990

\* Standard range

Delivery without connection cable